
Indoor Shade Installation Guide

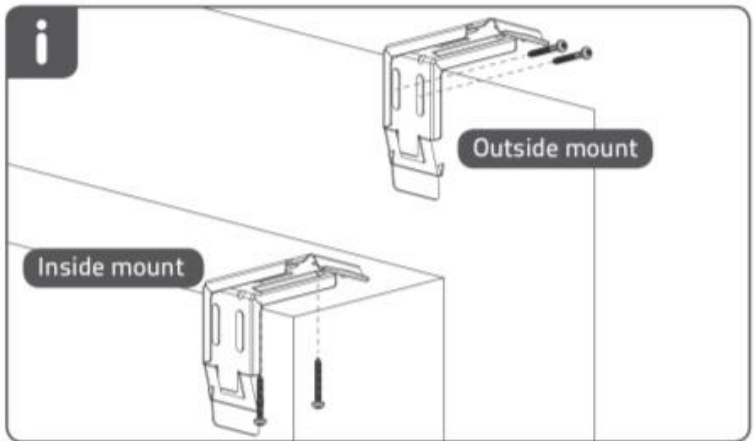
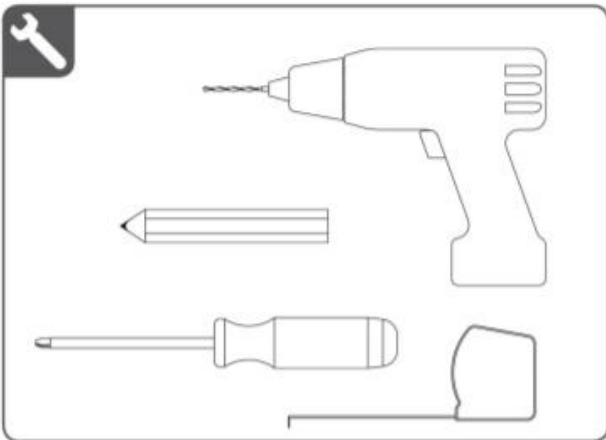
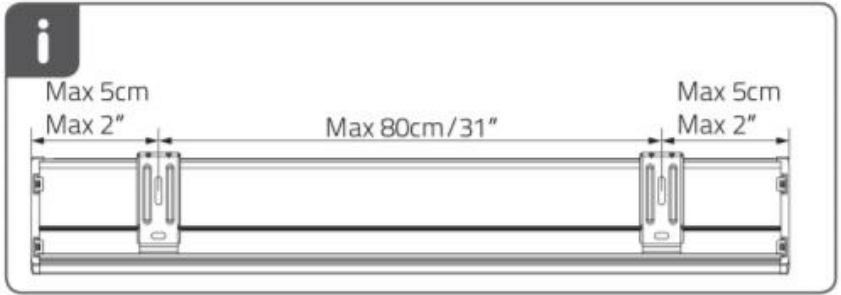
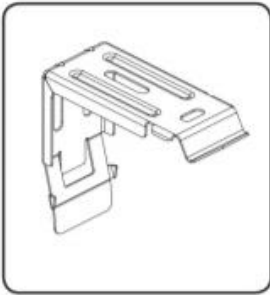
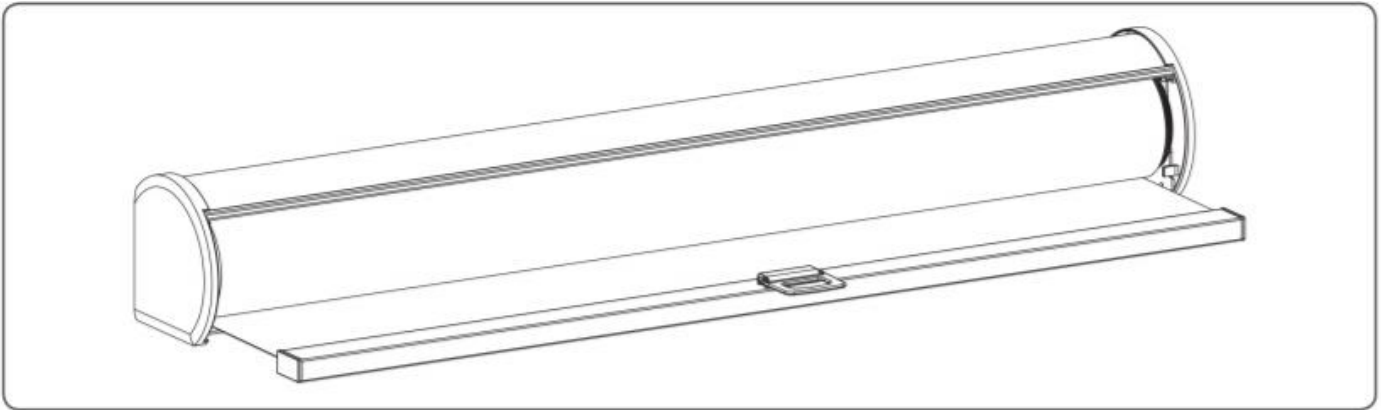


SHADE INSTALLATION GUIDE

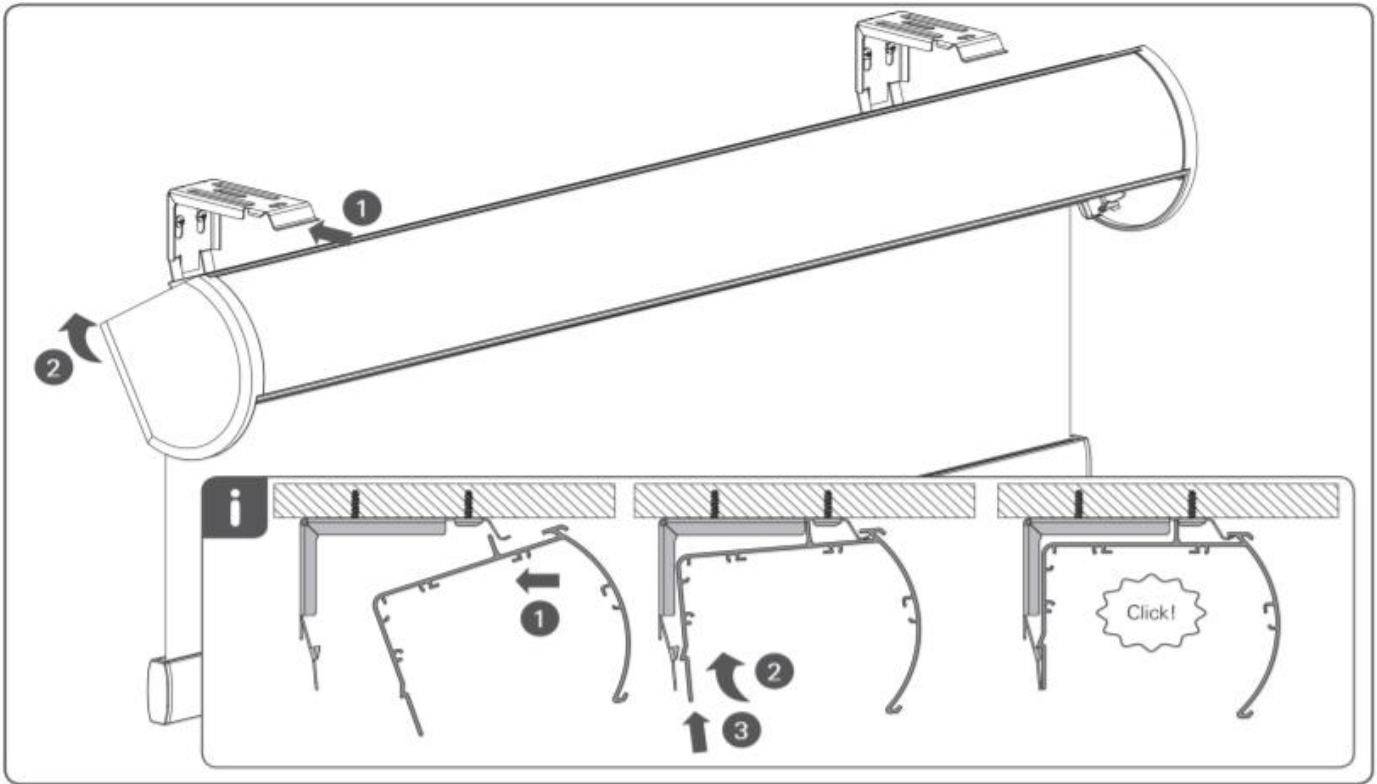
Introduction

Thank you for your purchase! This will guide you through the installation process. If you ever need any help throughout your installation, feel free to reach out to us at (417) 553-0504 or email us at support@powershades.com. We are here to help!

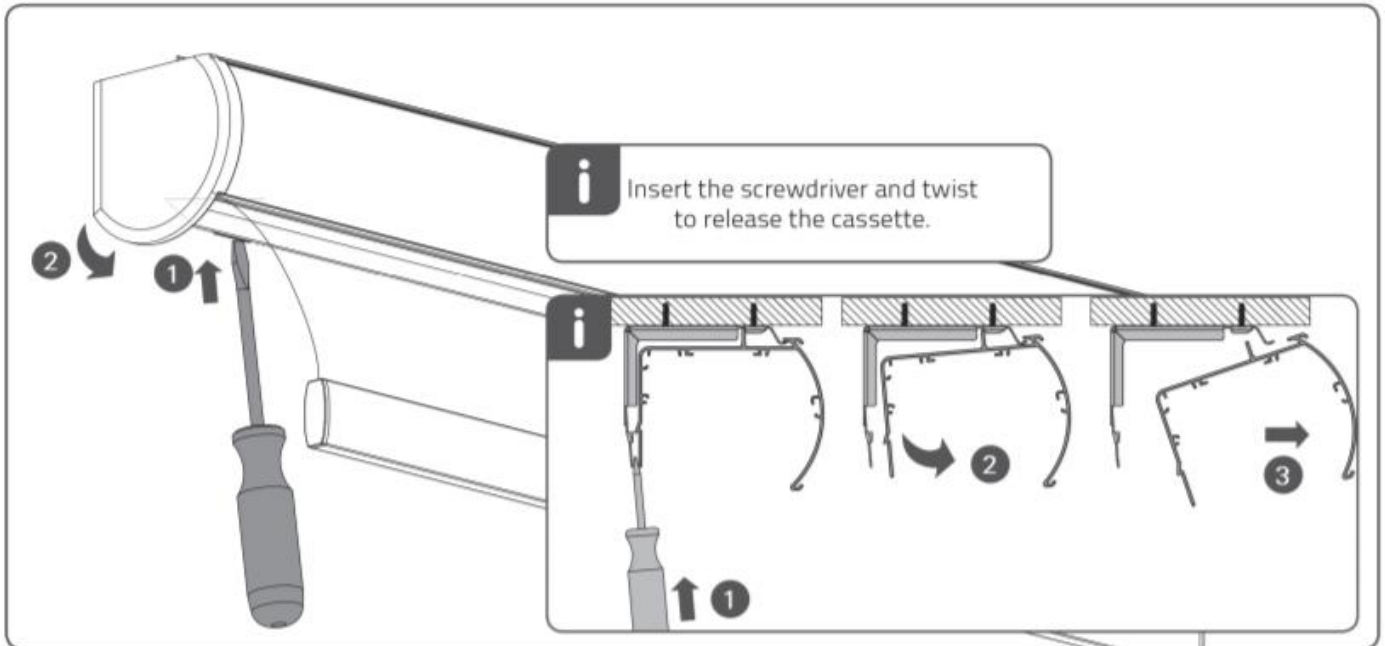
Cassette



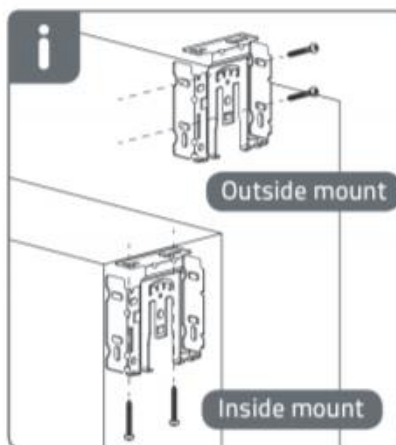
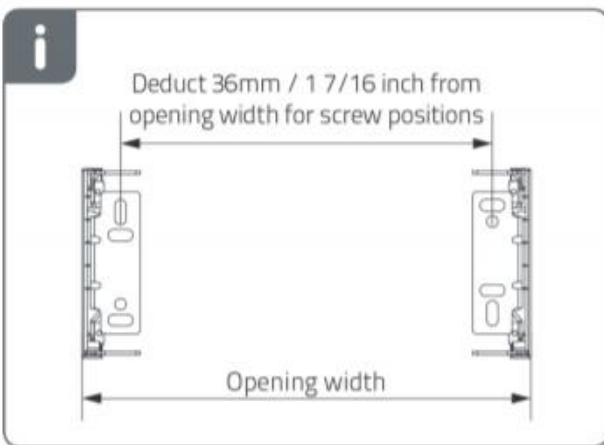
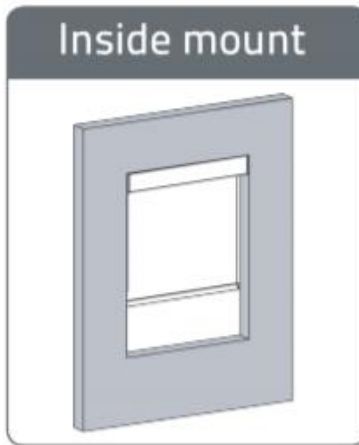
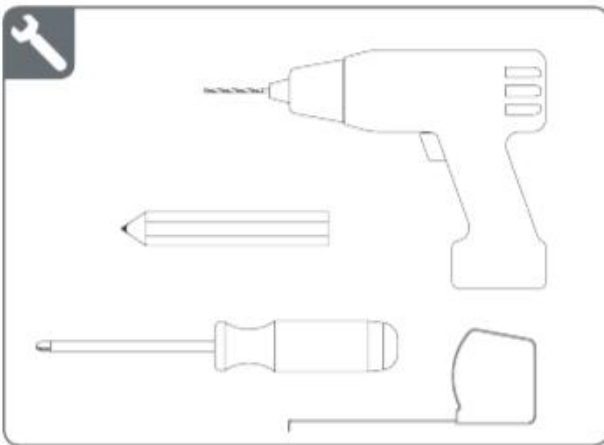
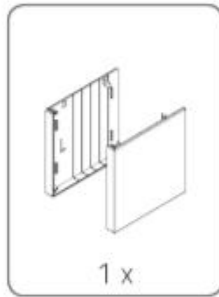
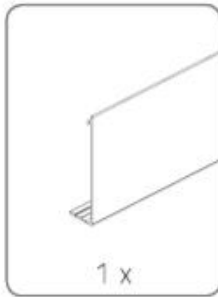
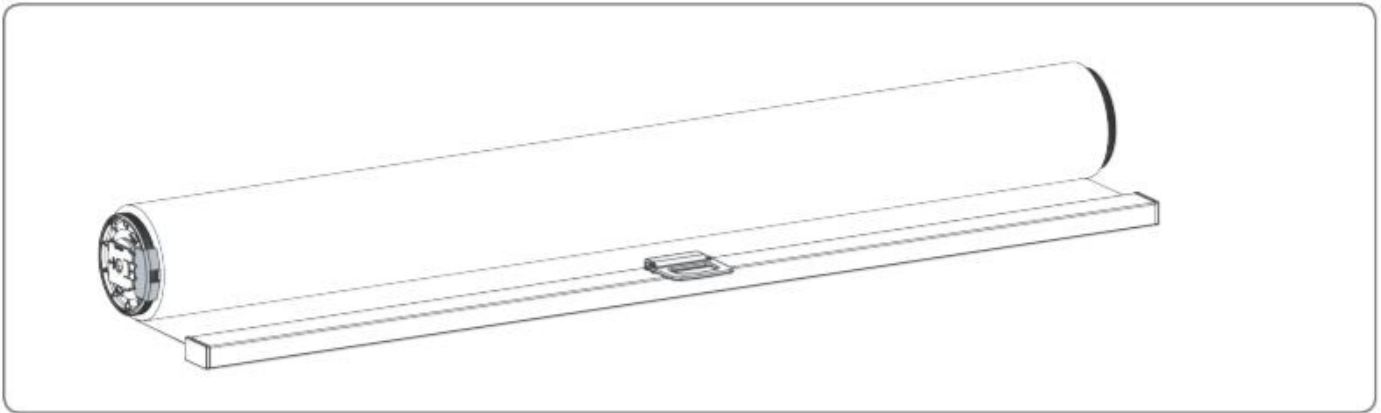
Installation



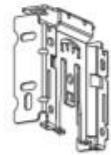
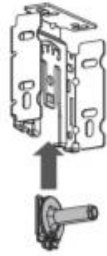
Removal



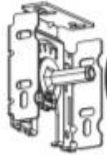
Fascia



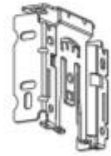
1



2




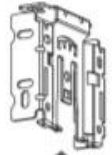
First mount pin side 



3

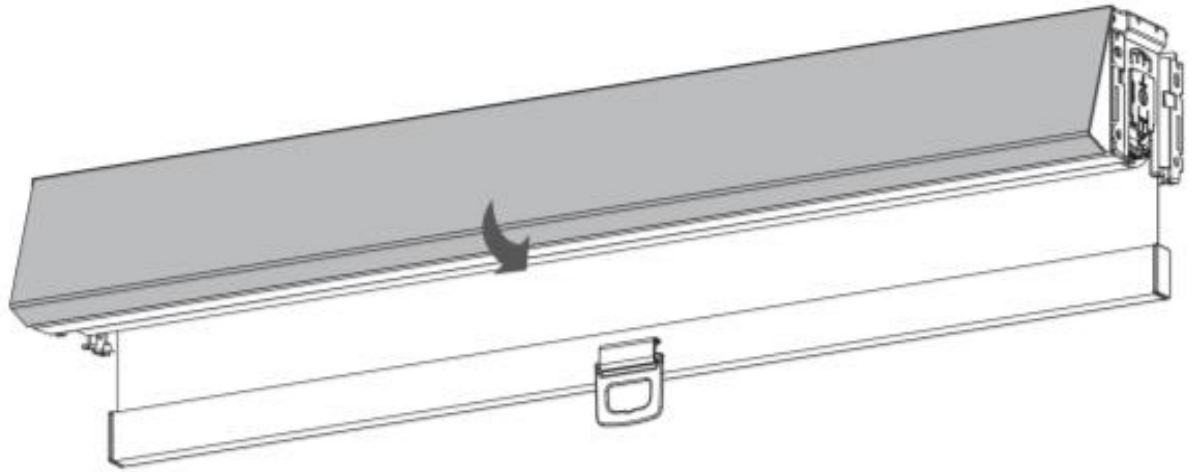


Then mount mechanism side 

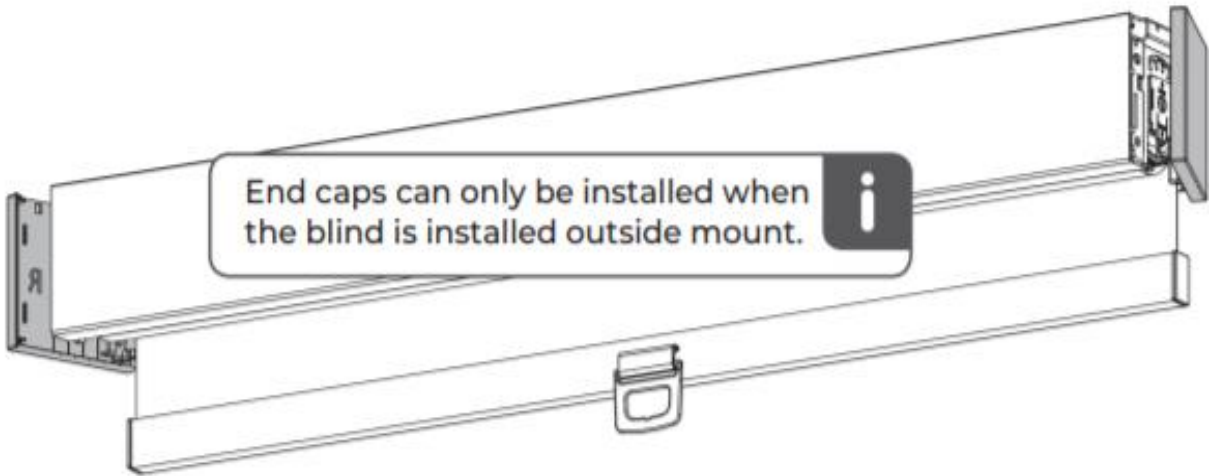


4

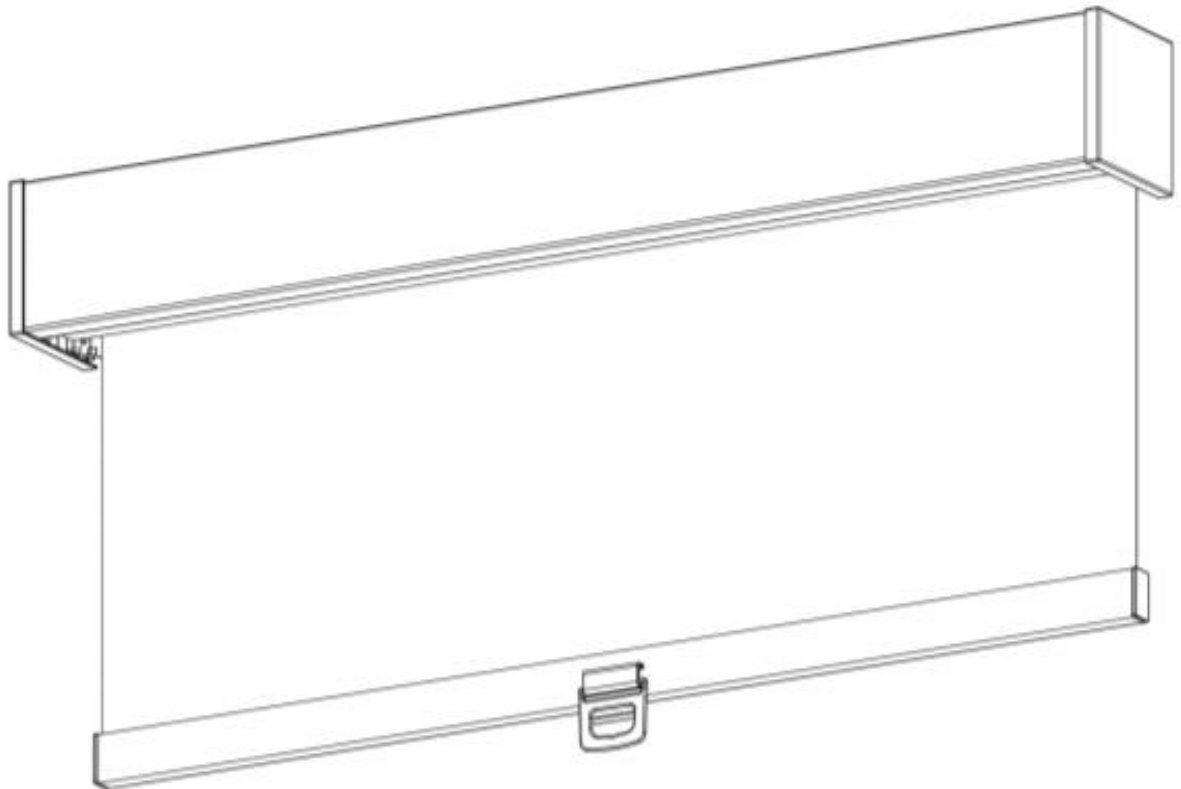
5



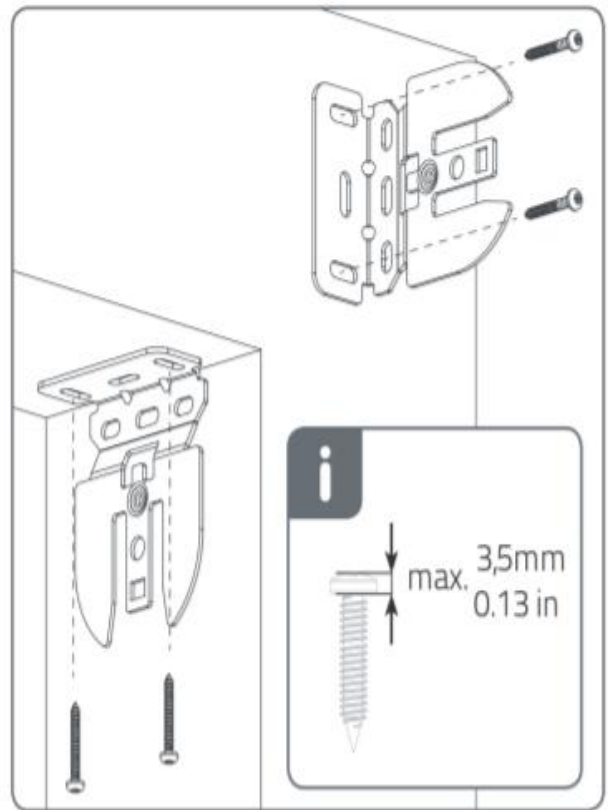
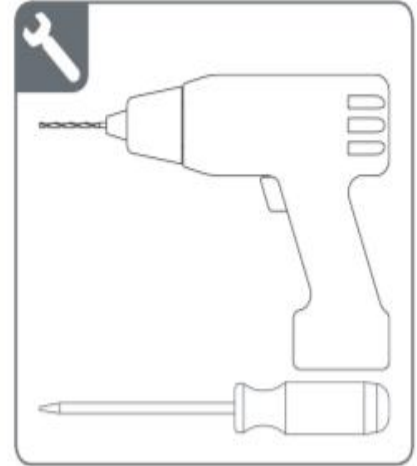
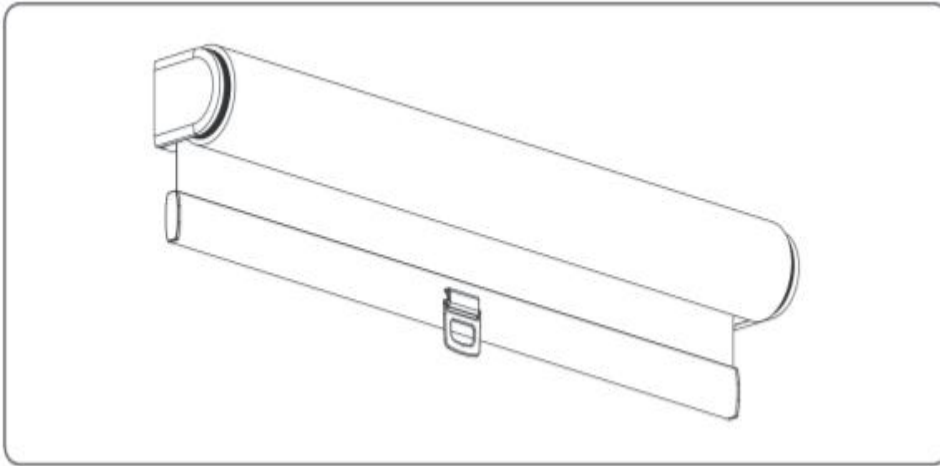
6



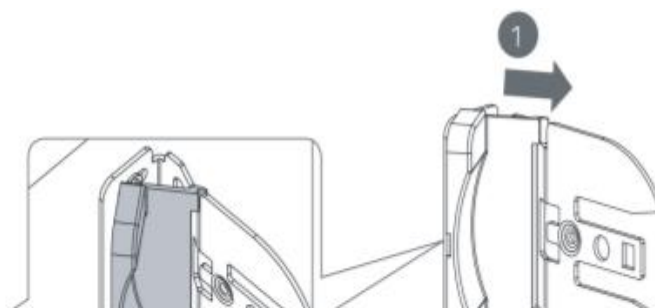
7

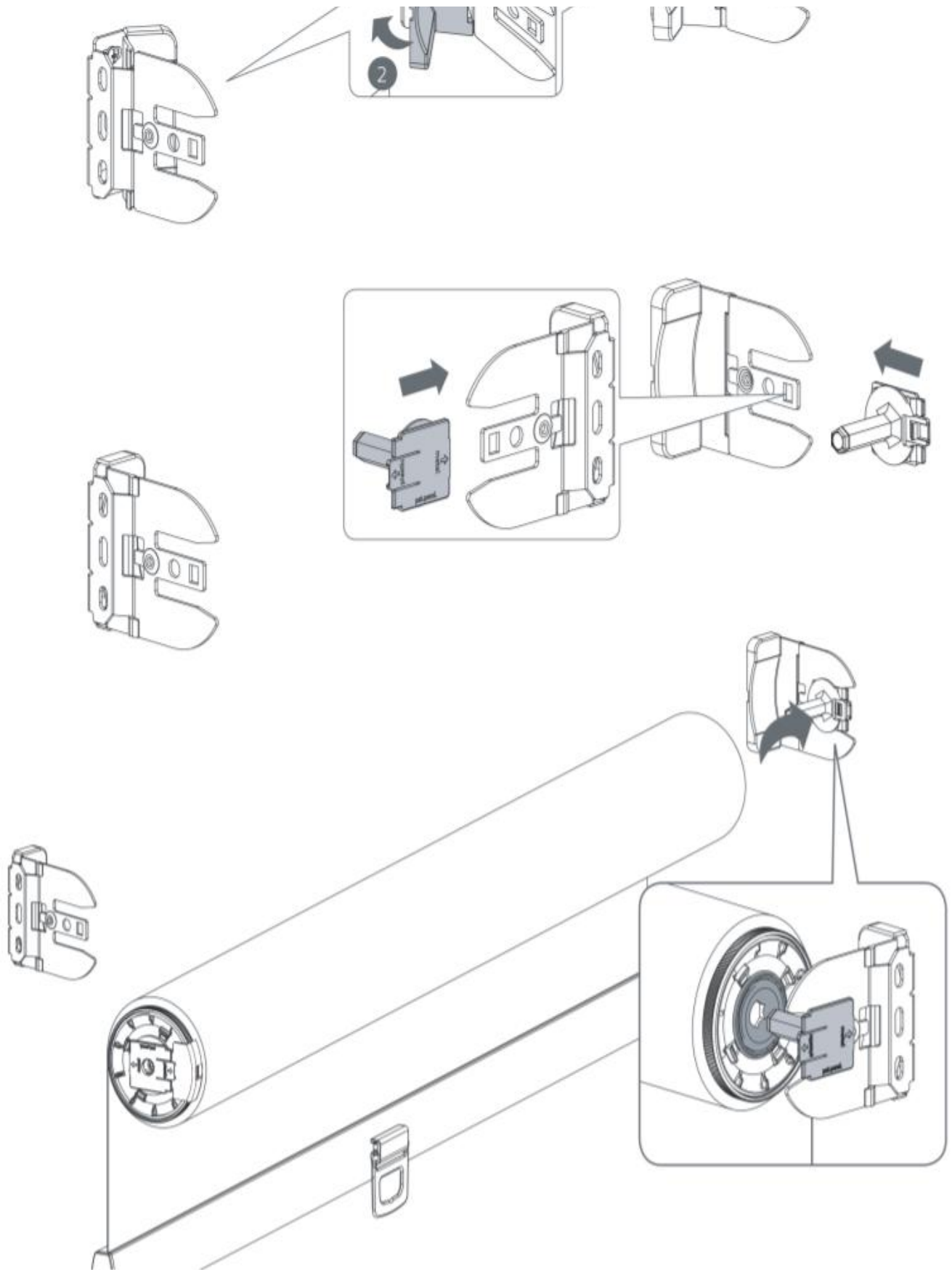


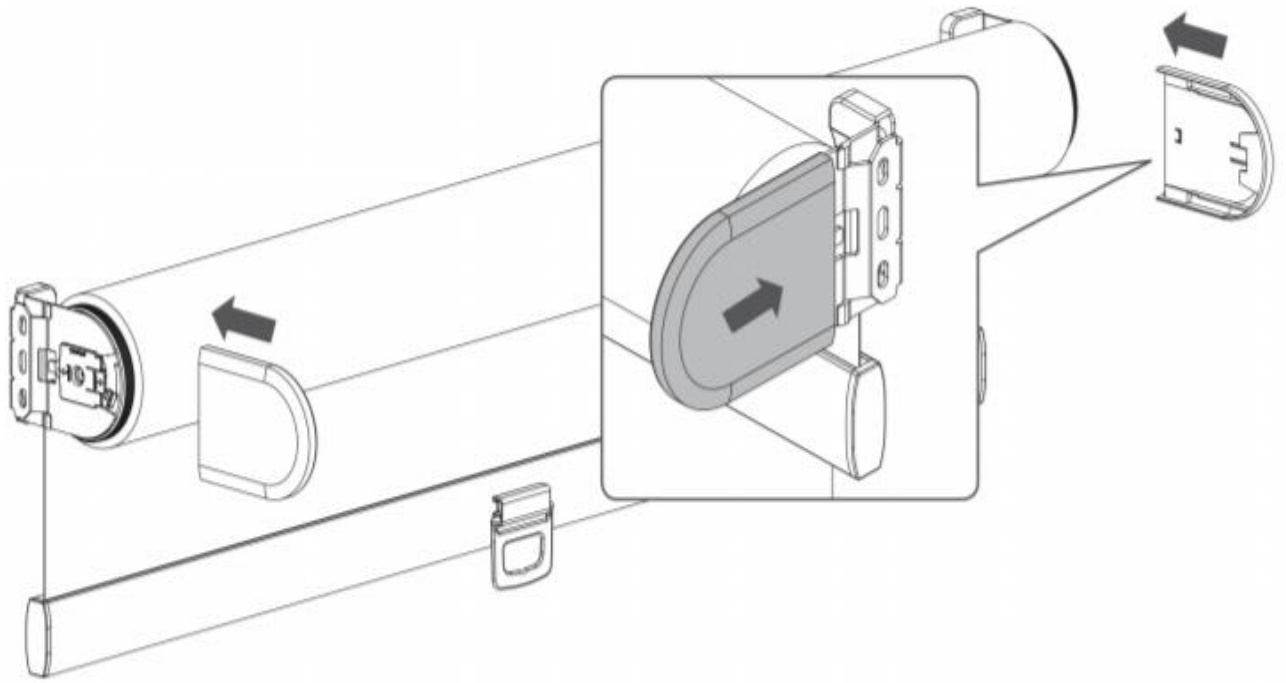
Open Roll



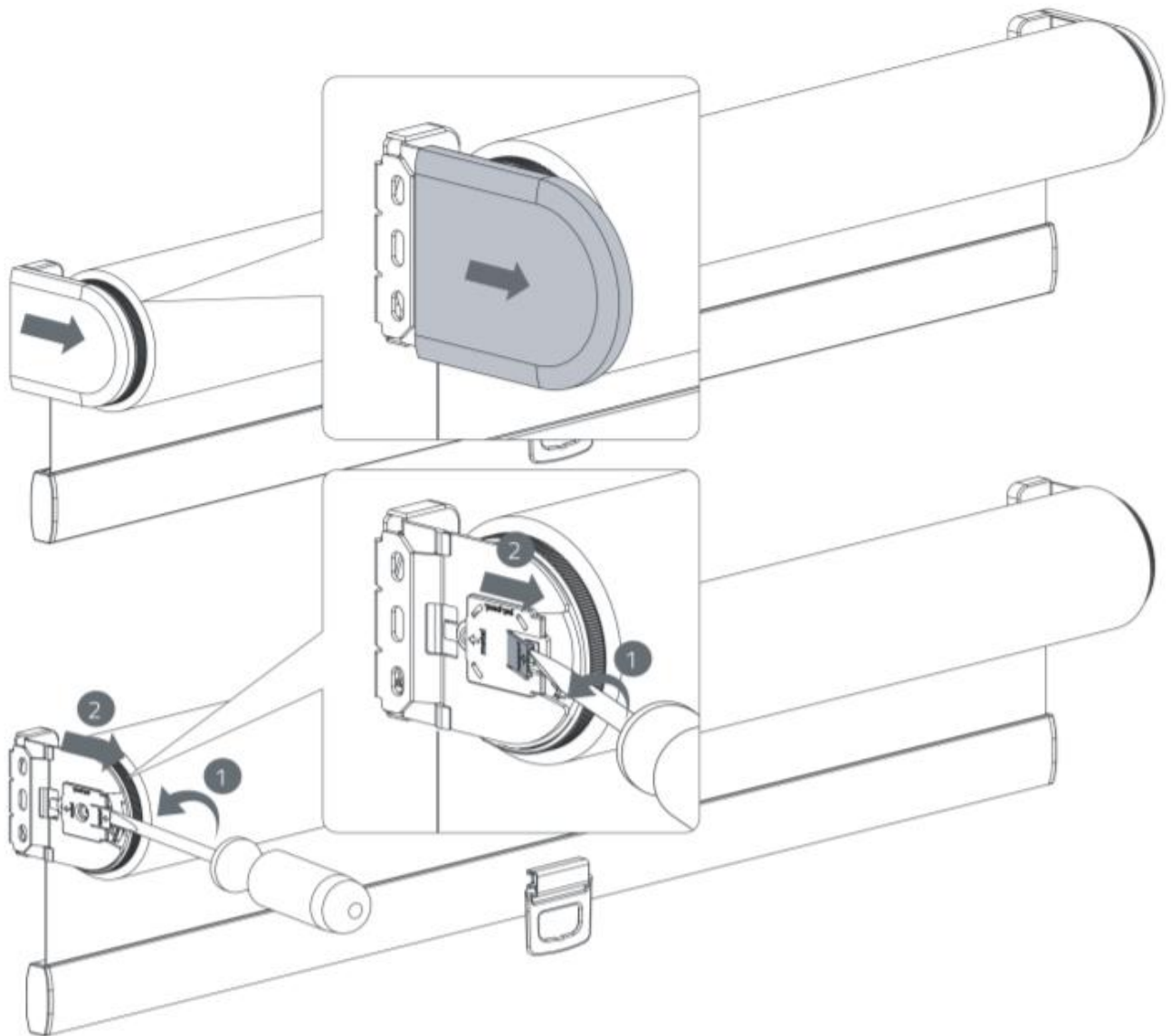
Installation







Removal



Side Channel

- ⓘ Side channels do not come pre-drilled and must be installed after the shade is installed and operational

STEP 1. Drill holes in the back side of the channels in the desire locations. Make sure to choose a drill bit size that allows the shaft of the screw to pass through, but not the head.



STEP 2. Measure the relaxed distance from the window that the hembar of the shade hangs.



STEP 3. Align the center of the side channels at the same distance from the window as the relaxed distance of the shade hembar



STEP 4. Drive screws into your drilled holes through the side channel into the side of the window jamb



STEP 5. Repeat this process on both sides



STEP 6. Run shade up and down to confirm proper operation



Wiring

⚠ This applies specifically to RF Hardwired LOW VOLTAGE Motors

Attached to the motor head is two bundled wires - a white wire and a black striped wire. The black striped wire is always the negative, regardless of what whips are used.