
Outdoor Shade Installation Guide



OUTDOOR SHADE INSTALLATION GUIDE

Introduction

Thank you for your purchase! This will guide you through the installation process. If you ever need any help throughout your installation, feel free to reach out to us at (417) 553-0504 or email us at support@powershades.com. We are here to help!

Harmony

STEP 1. Remove packaging and ensure that you have all brackets and hardware.

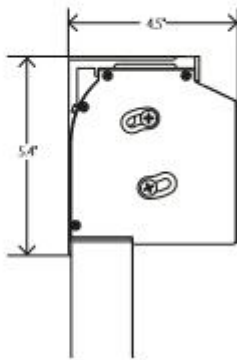
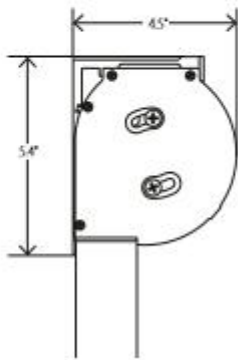
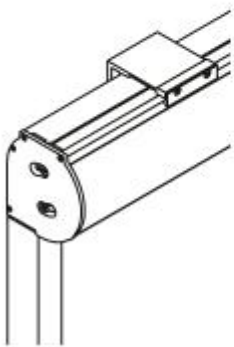
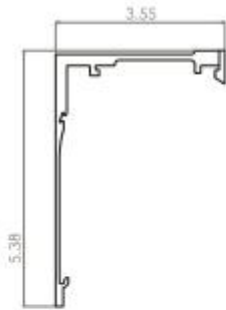
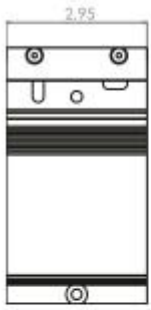
STEP 2. Mount your brackets so that each bracket is roughly 4" - 6" from each endcap. If you have 4 brackets, mount the first pair of brackets as described in the previous sentence and then mount the additional brackets 6" - 8" from the brackets that are already mounted.

⚠ It is absolutely vital that your brackets are level and plumb!

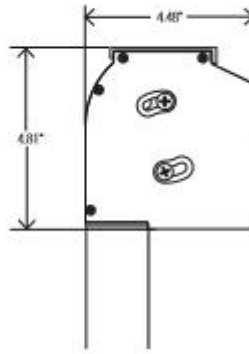
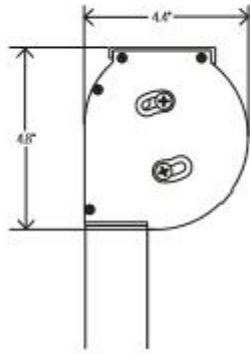
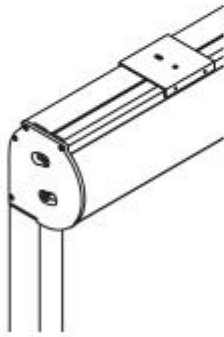
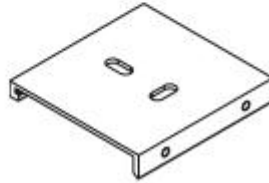
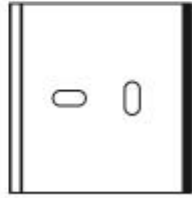
STEP 3. Once the brackets are installed, lift the complete box assembly onto the brackets and fasten with the proper set screws.

STEP 4. Once the unit is installed, mount the relative track or cable guides.

Wall Brackets



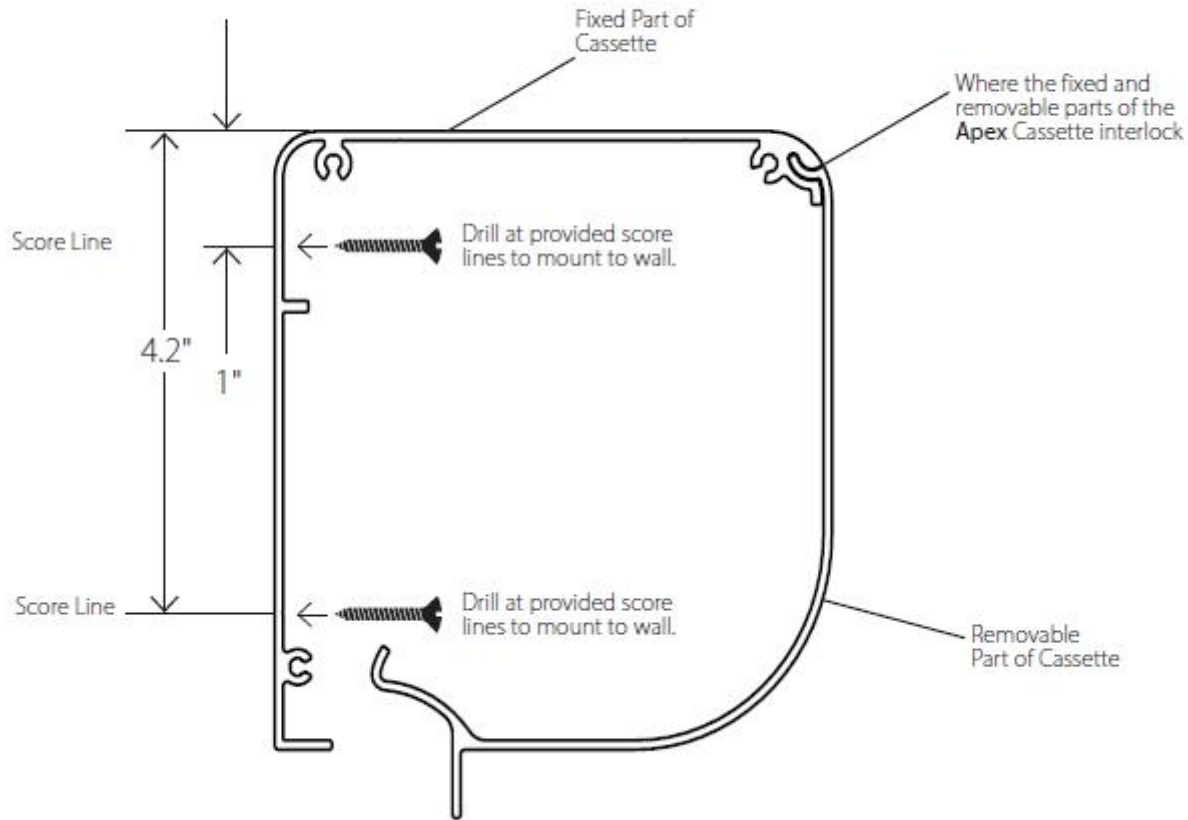
Ceiling Brackets



Apex

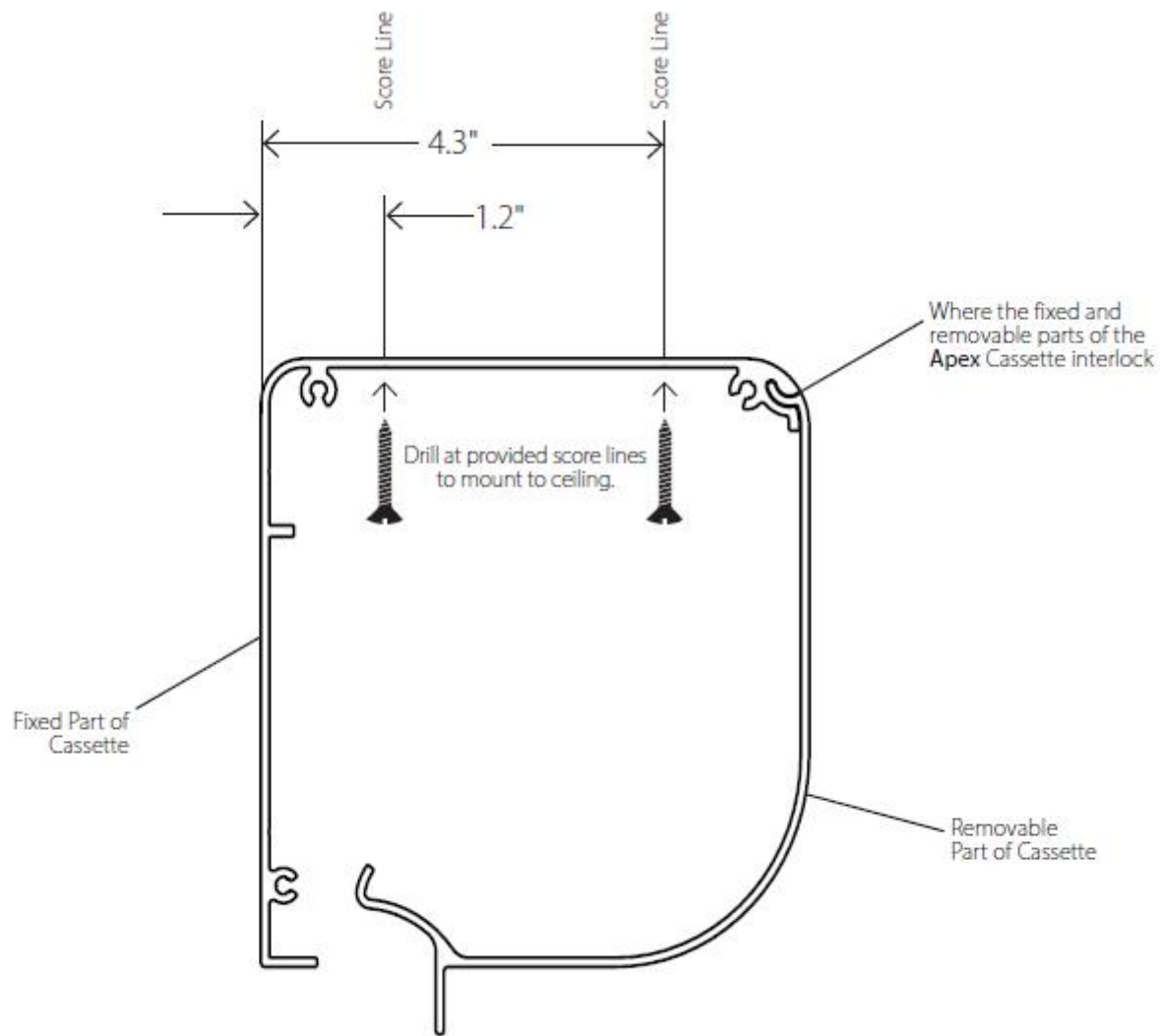
Wall Brackets

- ① The Apex must be mounted directly to the wall by drilling directly through the back of the fixed side of the cassette. Guidelines are scored in the extrusion on the fixed side of the cassette where indicated.



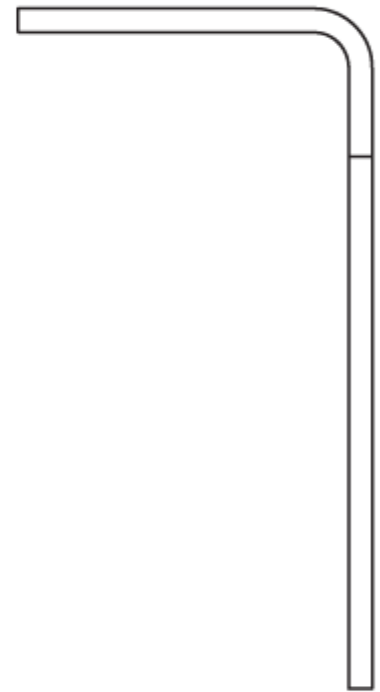
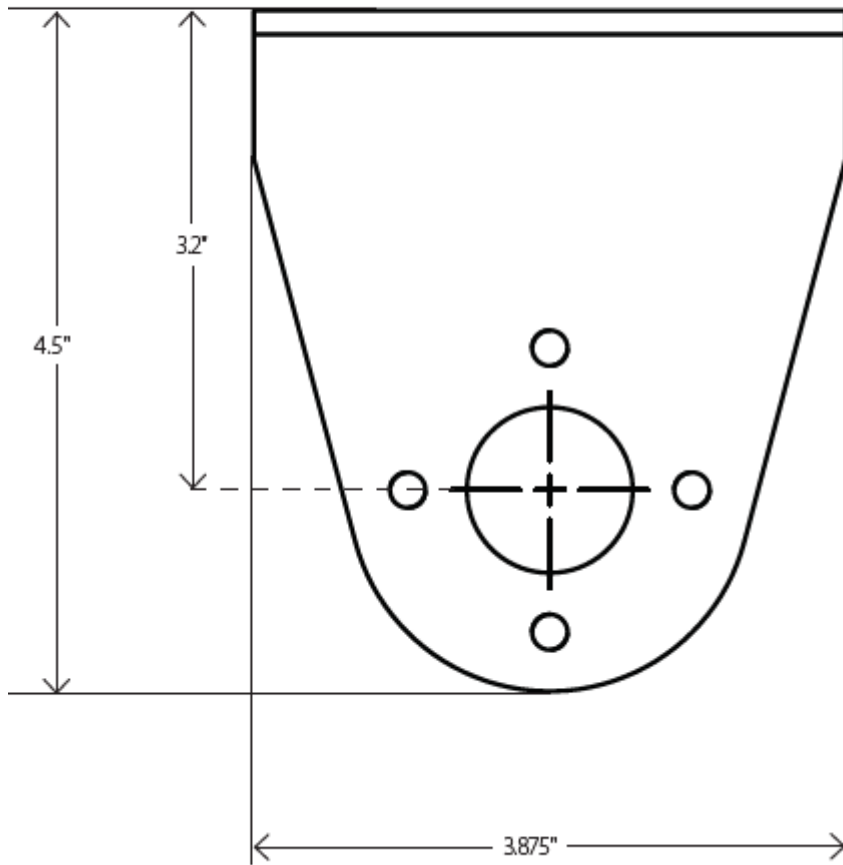
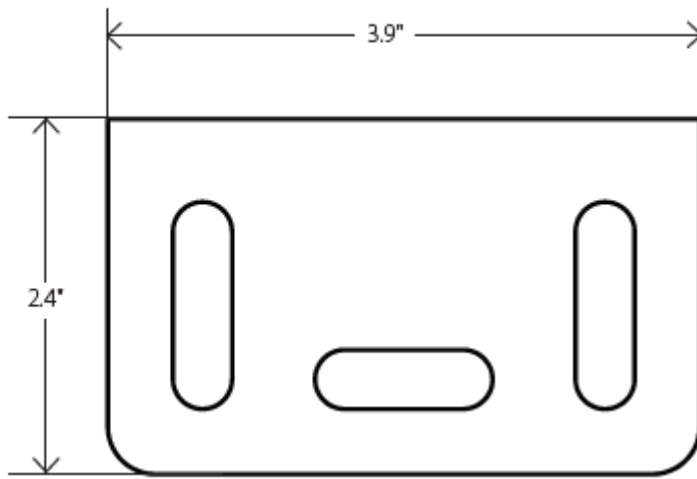
Ceiling Brackets

- ① The Apex must be mounted directly to the ceiling by drilling directly to the ceiling by drilling directly through the top of the fixed side of the cassette. Guidelines are scored in the extrusion on the fixed side of the cassette where indicated.

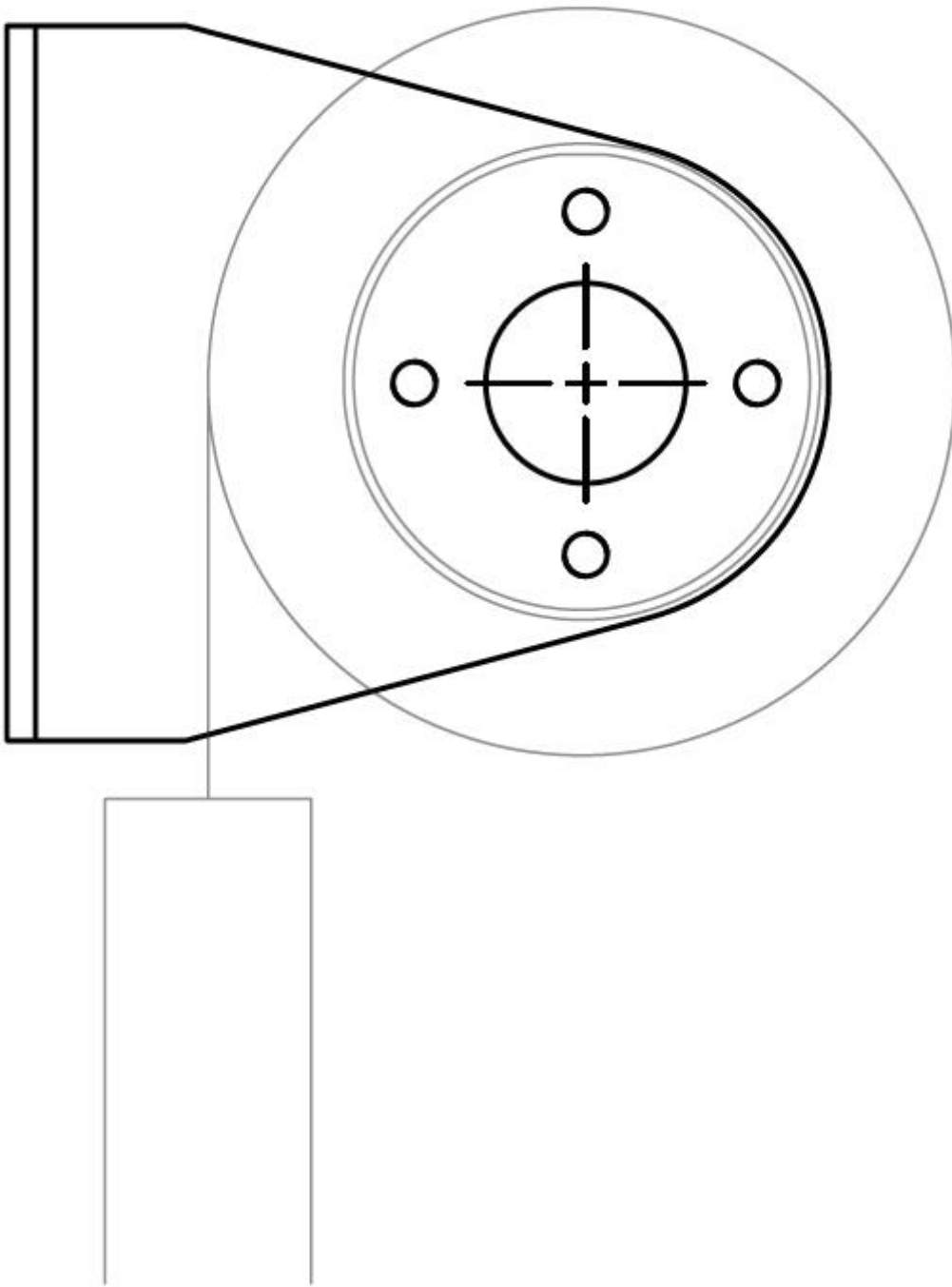


Meridian

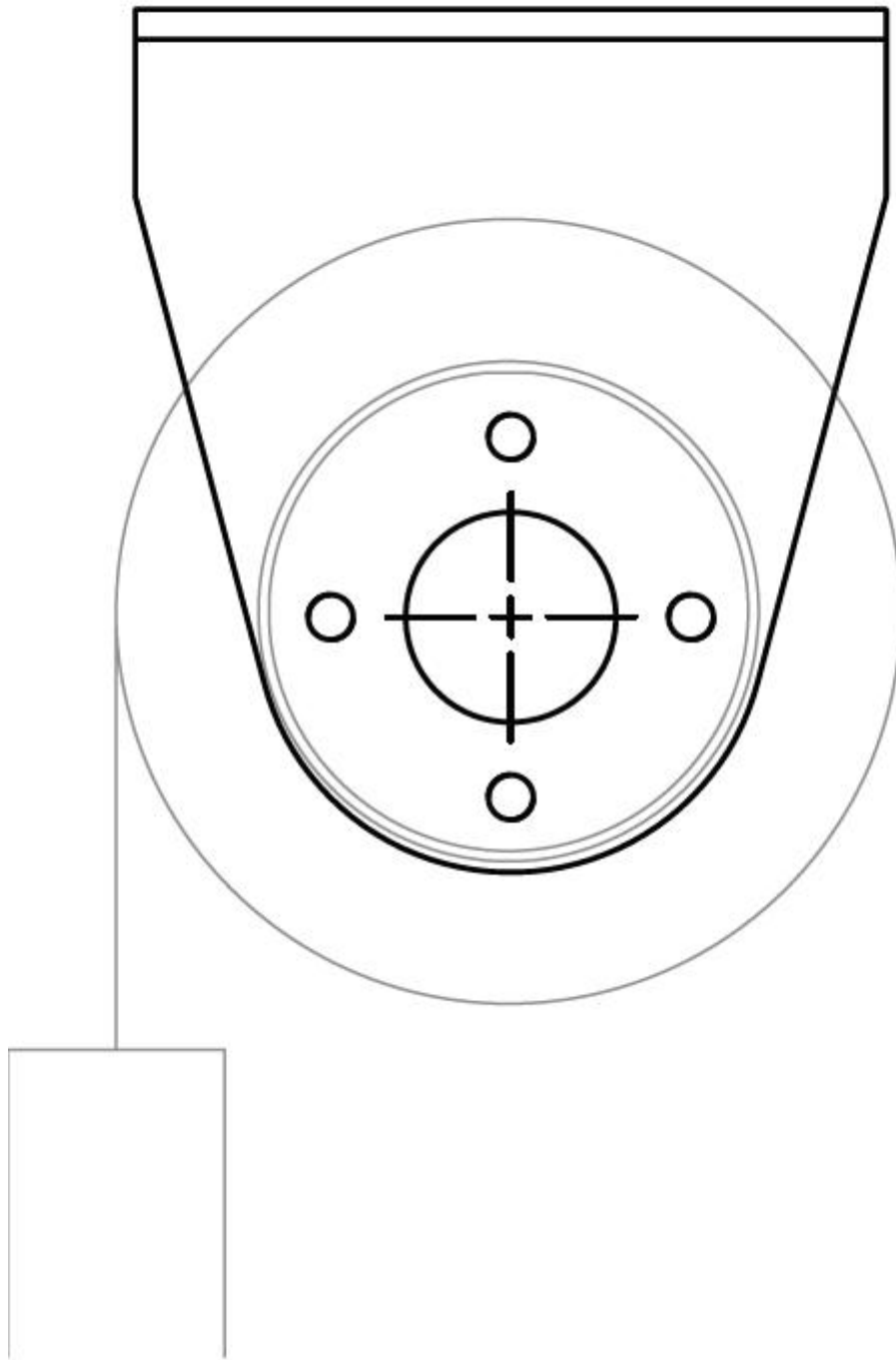
Brackets



Wall Mount

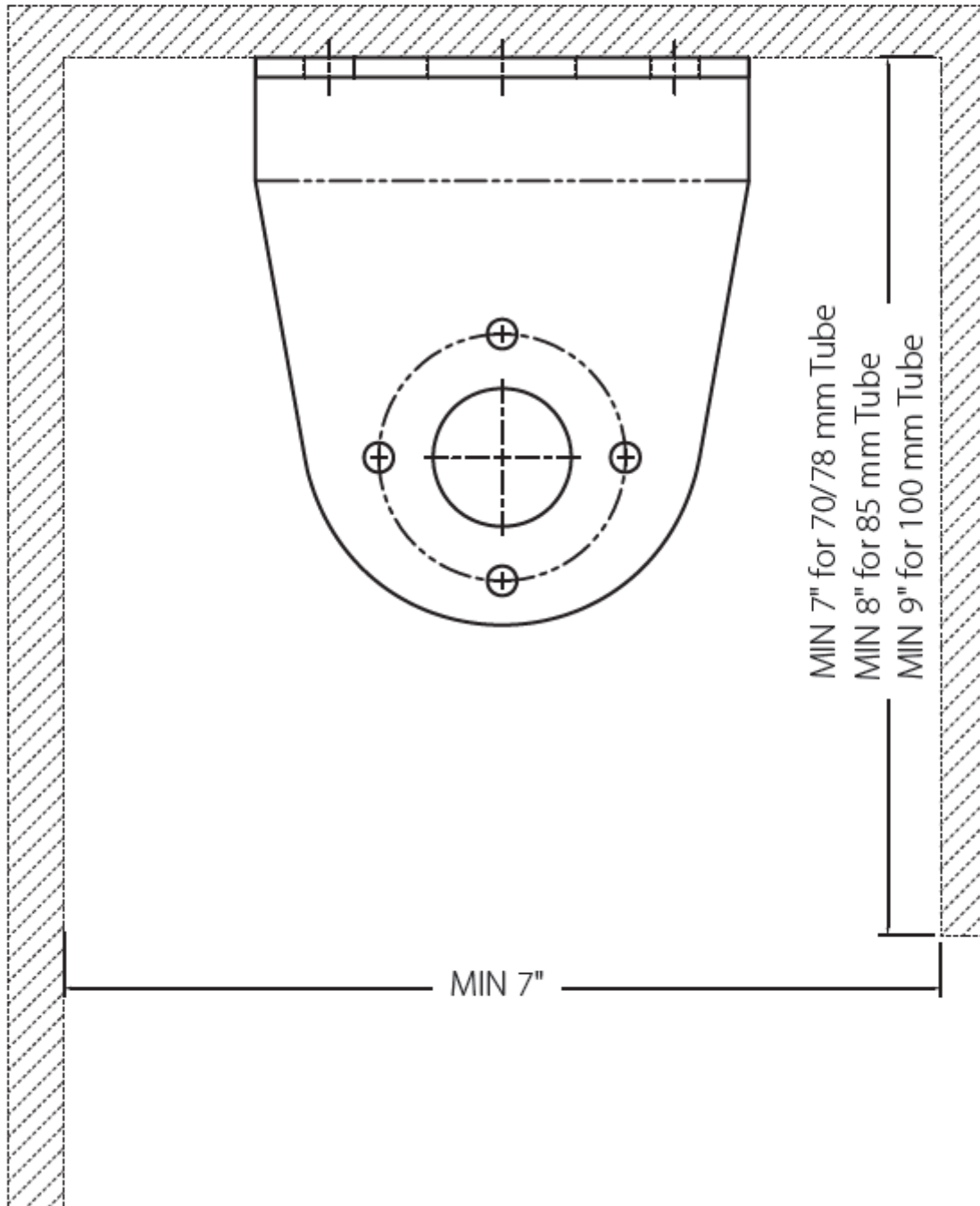


Ceiling Mount



Pocket Ceiling Mount

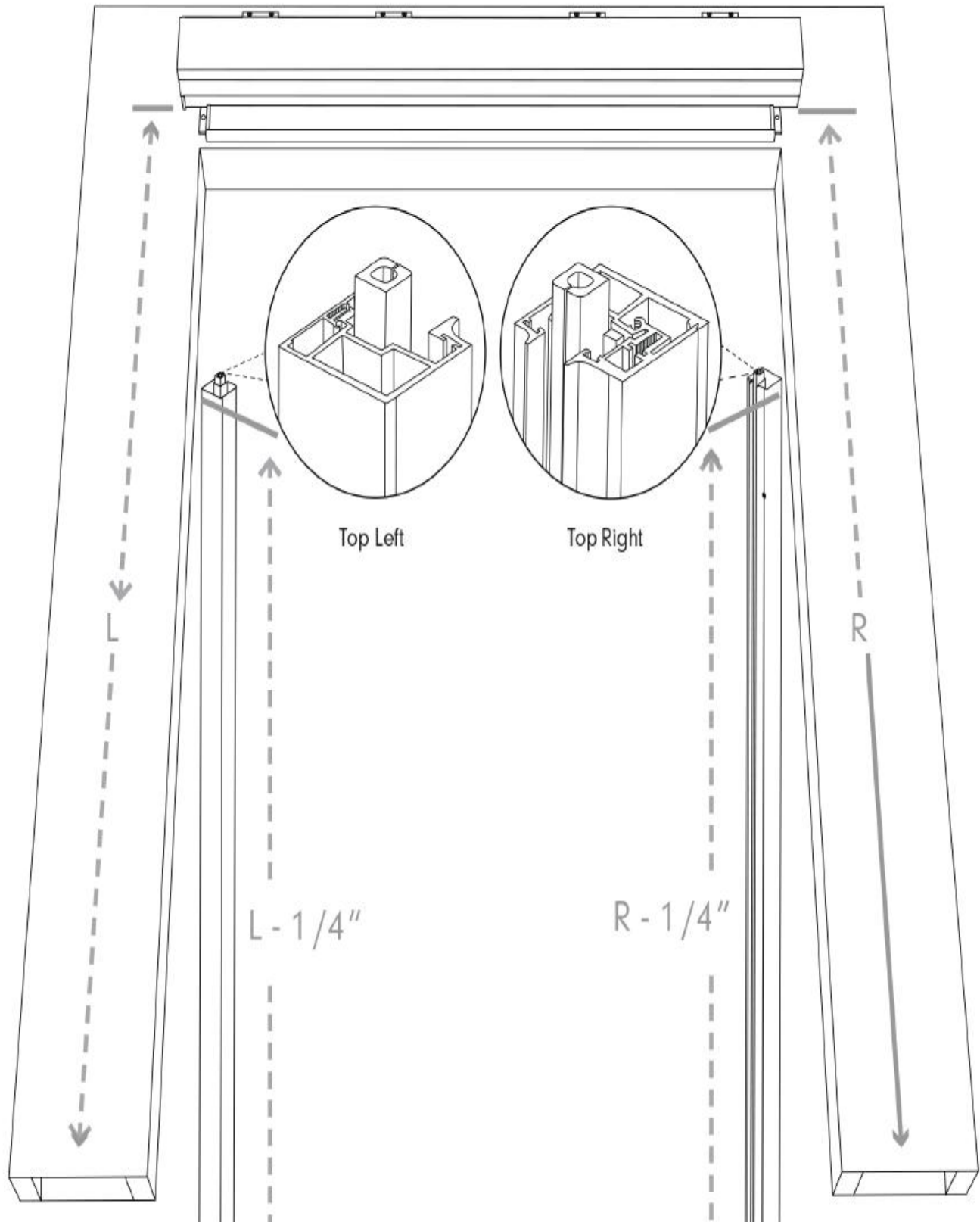
Minimum Width and Depth of Pocket for Meridian with 70/78 mm Tube MUST BE 7" x 7" **Minimum Width and Depth of Pocket for Meridian with 85 mm Tube MUST BE 7" x 8"** **Minimum Width and Depth of Pocket for Meridian with 100 mm Tube MUST BE 7" x 9"** *These requirements are for installation accessibility and will hide the bottom bar.*



Lightning Track Installation

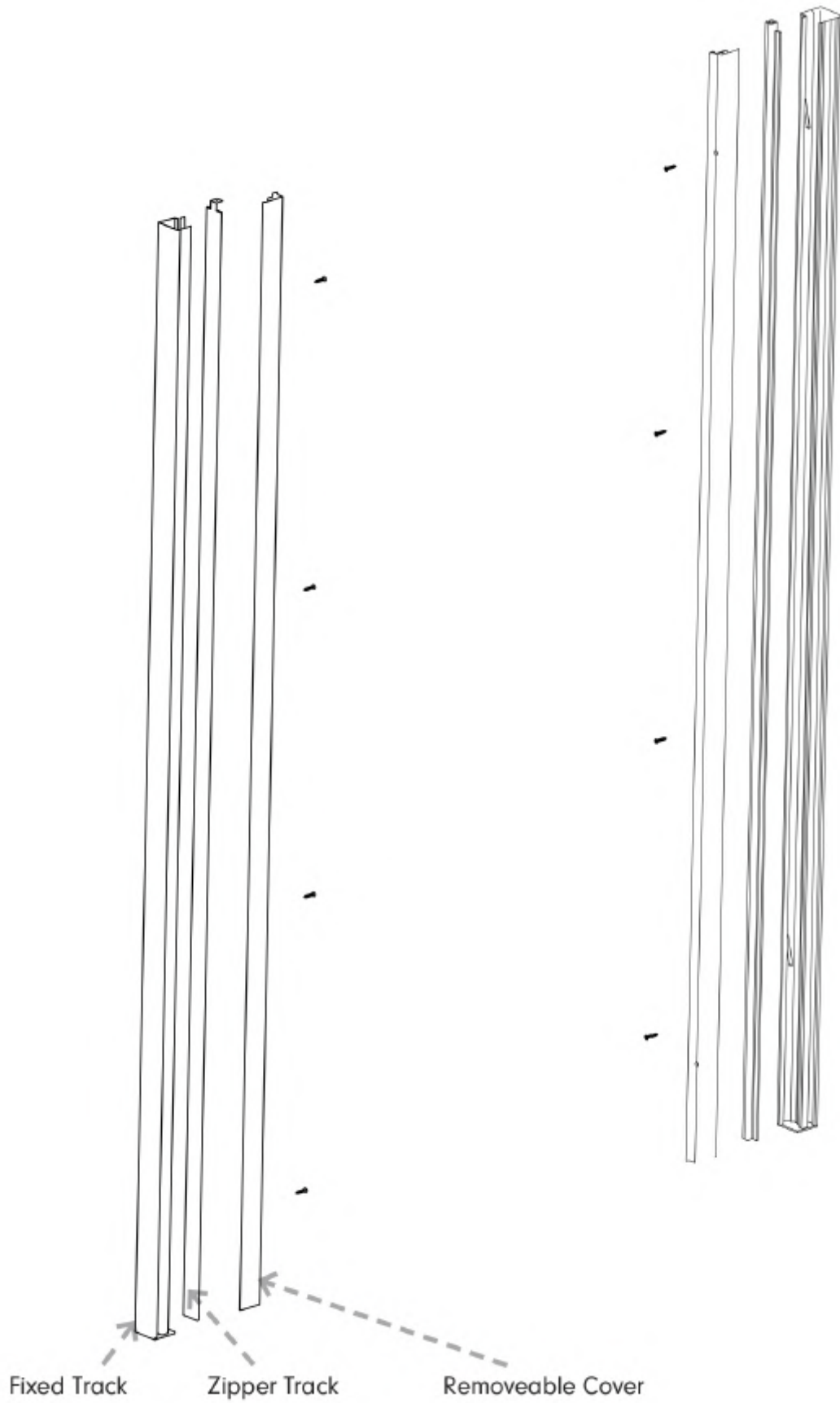
STEP 1. Use appropriate fasteners to mount the wall brackets to structural supports. Mount brackets 2" to 6" from the case ends. If 4 brackets are included then mount them 4" to 8" from the outer brackets. Make absolutely sure that all brackets are included then mount them 4" to 8"

from the outer brackets. Note that all brackets are on a level line and are plumb. Note that all weight is held toward the ends there is no need for brackets toward the middle. Also, when a Shade is under 108" wide, only 2 brackets are necessary. When the shade is wider than 108", then 4 brackets will be necessary.





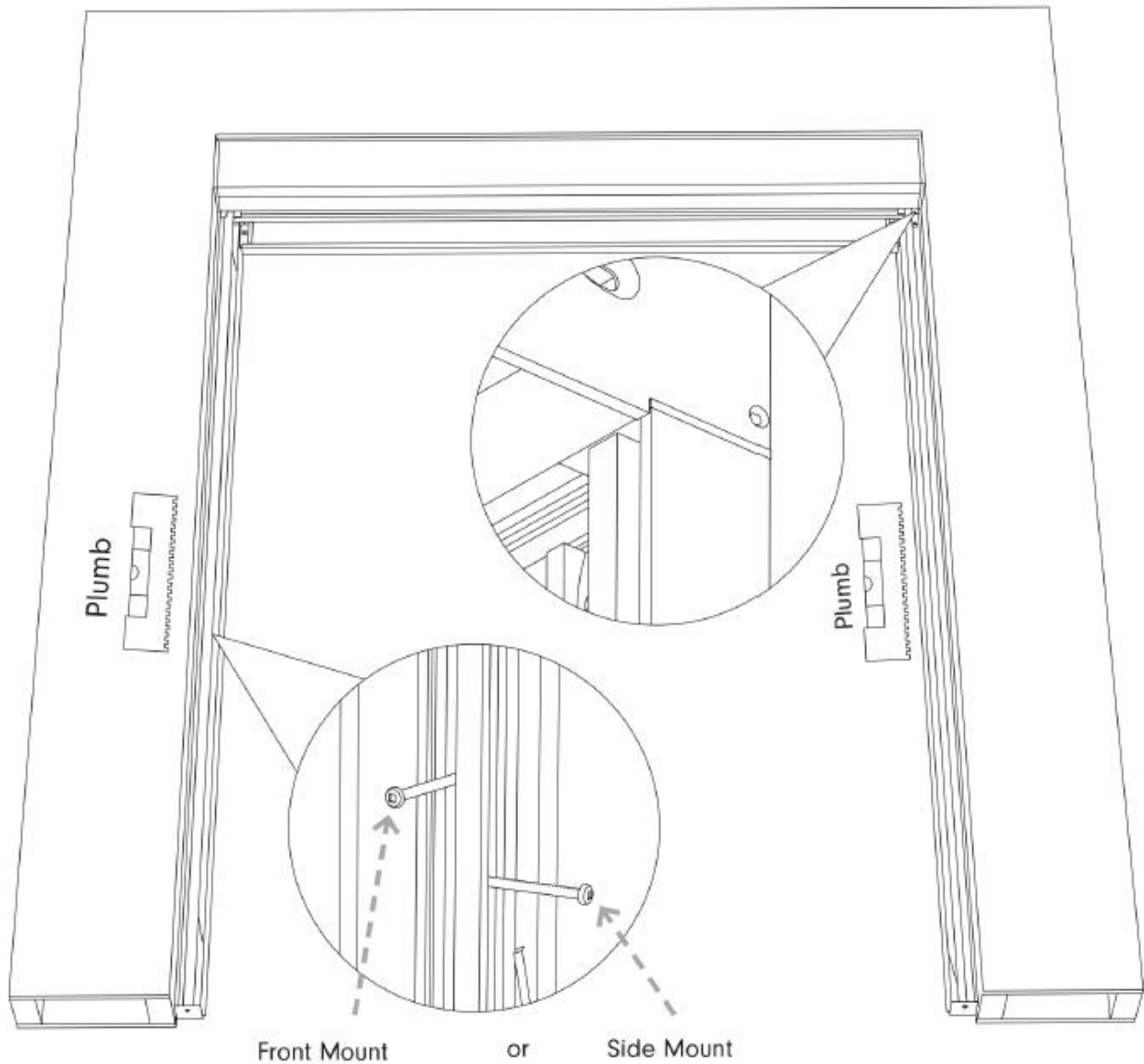
STEP 2. Disassemble the track by removing the screws holding the removable extrusion cover and removing the plastic zipper track on the inside. Make sure the bottom cap is installed before proceeding.



STEP 3. Position the larger fixed track up against the indent in the box. The outside of the track should be exactly flush with the end of the box. Notches for mounting from the front or side have

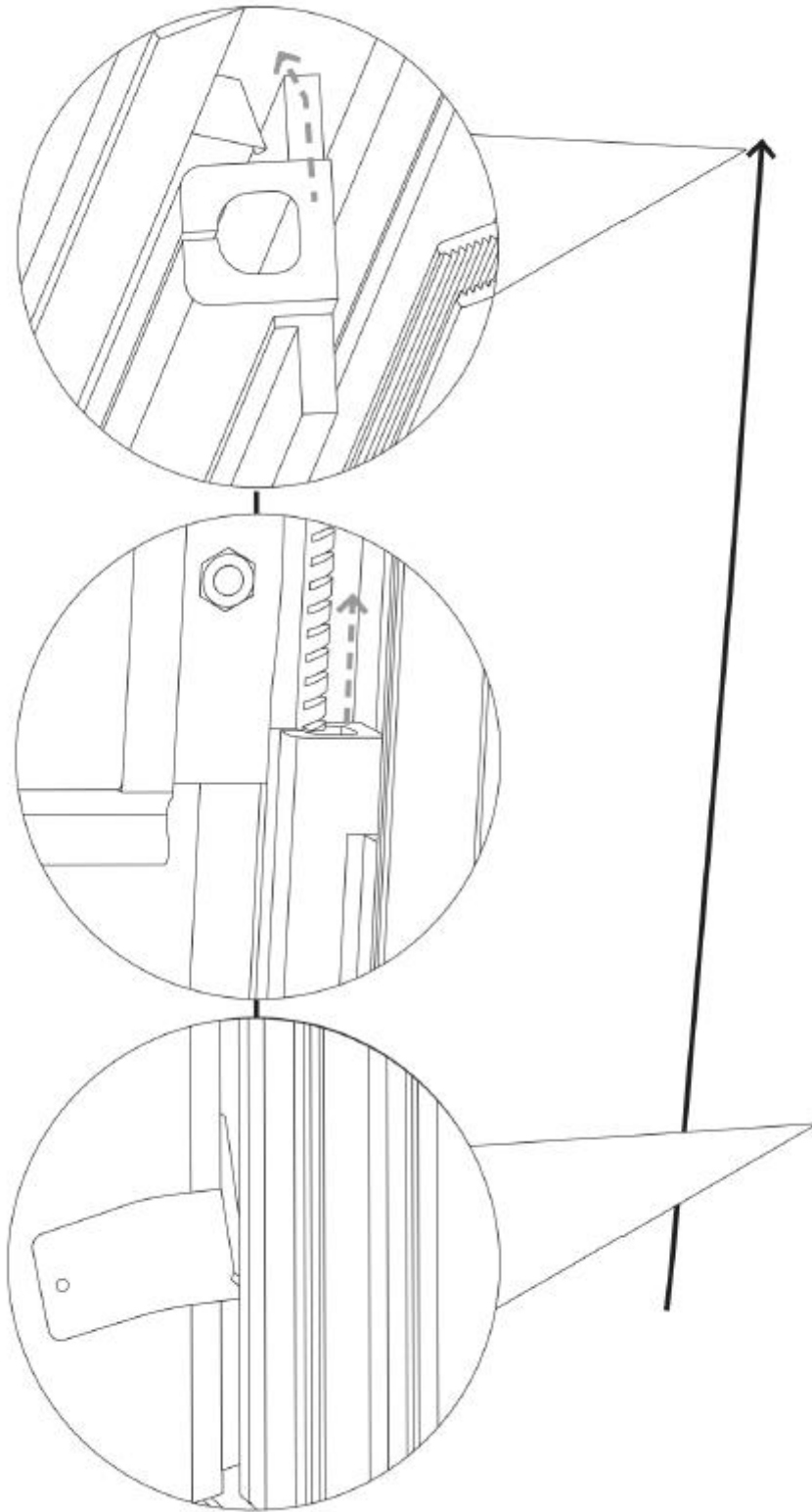
been provided to guide fastener installation. Notches for mounting from the front or side have been provided to guide fastener installation. Use appropriate fasteners to secure the track of the installation location.

- ⓘ Make sure the tracks are mounted level and plumb in all directions. As a final check make sure that the left and right tracks are the same distance apart from top to bottom within 1/8".



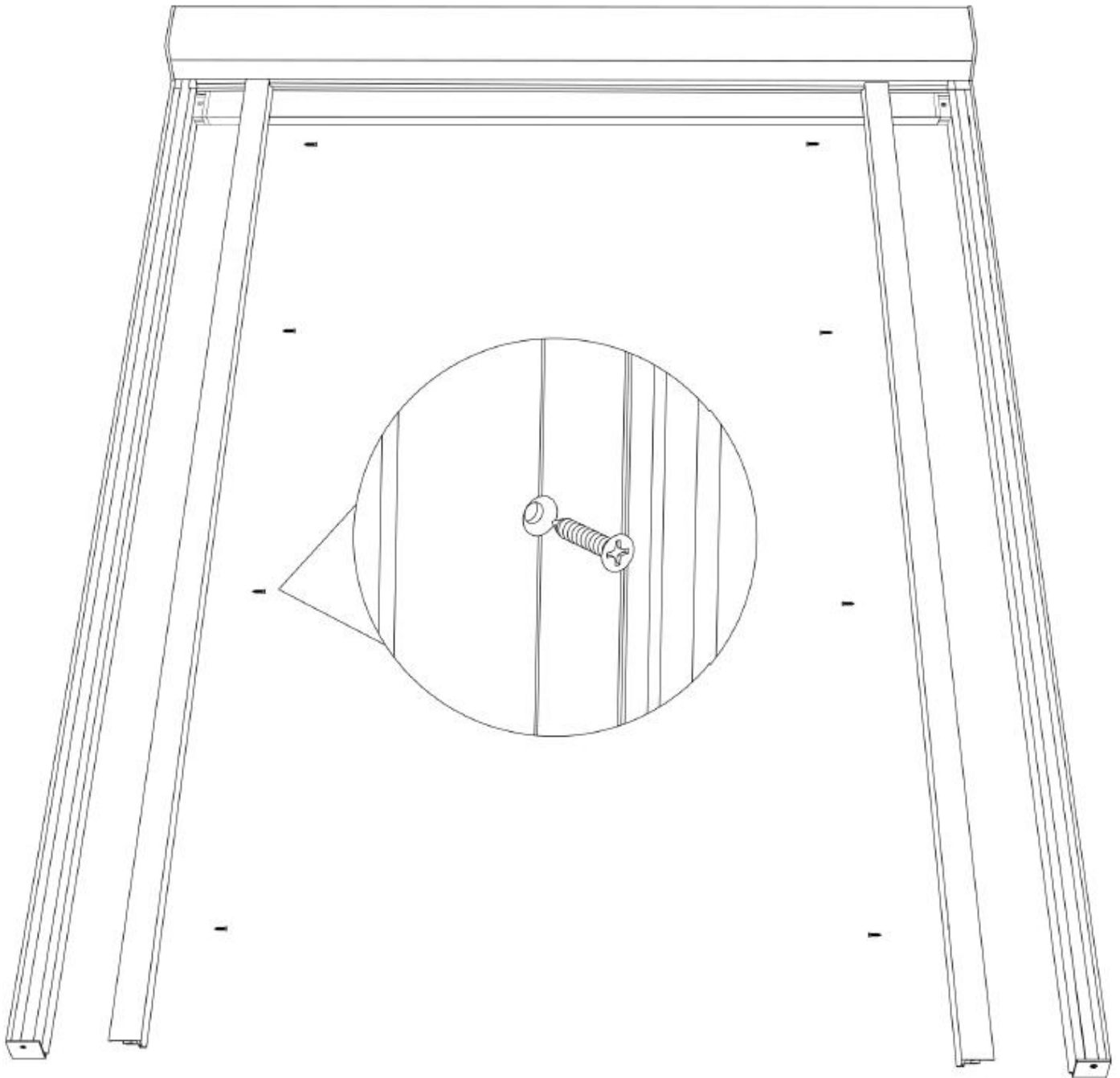
STEP 4. Angle the zipper track up into and behind the upper most spring. The top of the track is the side with the notches cut out. Then slide it up into the zipper on the shade material until it is

pushed all the way up to the track top cap. Finally use a flat head screw driver or the flat aluminum credit-card-size card found in the installation hardware bag to compress the springs and make sure they are all pushing back on the plastic track.



STEP 5. Place the removable covers onto the fixed track and hold into place while securing with the retaining screws.

⚠ DO NOT USE POWERED SCREW DRIVER AS THE STAINLESS STEEL SCREW WILL STRIP THE ALUMINUM PROFILE!



<https://support.powershades.com/portal/kb/articles/outdoor-shade-installation-guide>